



Mercedes-Benz

Sprinter 313 CDI Panel Van  
Sprinter 313 CDI High Roof Panel Van

**Engine Specification**

Type: 4 stroke diesel with turbocharger and intercooler (OM611DE22LA - M05)  
Cylinders/arrangement: 4/in-line  
Displacement: 2150cc  
Bore/stroke: 88.0/88.4mm  
Compression ratio: 18:1  
Maximum output: 95kW (130hp) @ 3800rpm  
Maximum torque: 300Nm @ 1600-2400rpm  
Injection type: Common Rail Direct Injection (CDI)

**Transmission Specification**

Type: 5-speed manual, Ratio: 1st gear 5.053, 2nd 2.601, 3r 1.521, 4t 1.0, 5th 0.784, Reverse 4.756  
Optional Sprintshift six speed automatic transmission  
Drive: Rear Wheel

**Other Standard Specification**

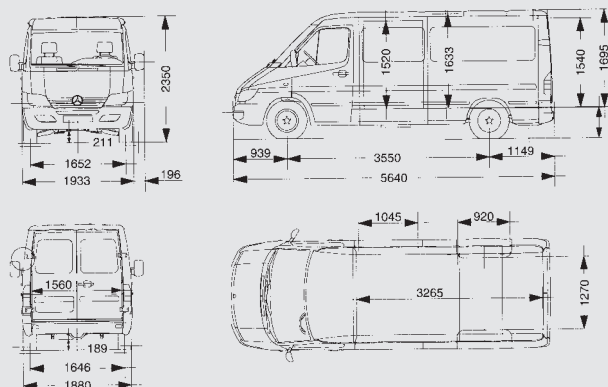
Clutch: 240mm single-plate dry clutch, hydraulically actuated, self-adjusting  
Rear axle ratio: 4.375  
Steering: Power assisted rack-and-pinion  
Brakes: Disc brakes front and rear  
Suspension Front: Independent with damper strut, transverse semi-elliptic leaf spring and stabiliser bar  
Rear: Live axle with telescopic gas-filled shock absorbers, longitudinal semi-elliptic leaf spring and stabiliser bar  
Fuel tank capacity: 75 litres  
Battery: 12V/88Ah  
Wheels: 6J x 15 steel  
Alternator: 14V/90A  
Tyres: 225/70R 15

Weight Ratings (kg)	313 CDI Low Roof	313 CDI High Roof
Front axle load:	1600	1600
Rear axle load:	2240	2240
Gross vehicle weight:	3500	3500
Unladen weight* :	2020	2165
Payload capacity:	1480	1335
Trailer load with brakes:	2000	2000
Trailer load without brakes	900	900

\* Unladen weight of the complete vehicle, including tools, spare wheel and full fuel.

Dimensions (mm)	313 CDI Low Roof	313 CDI High Roof
Wheelbase:	3550	4025
Vehicle length:	5640	6590
Vehicle width:	1933	1933
Vehicle height:	2350	2570
Rear overhang:	1149	1625
Floor loading height:	655	653
Load compartment (L x W x H):	3265 x 1736 x 1633	4215 x 1736 x 1855
Load volume (m³):	9.1	13.4
Sliding door opening (W x H):	1045 x 1520	1045 x 1520
Rear door opening (W x H):	1560 x 1540	1560 x 1775
Turning circle (m):	12.8	14.3

Mercedes-Benz Sprinter 313 CDI Low Roof Panel Van



Mercedes-Benz Sprinter 313 CDI High Roof Panel Van

